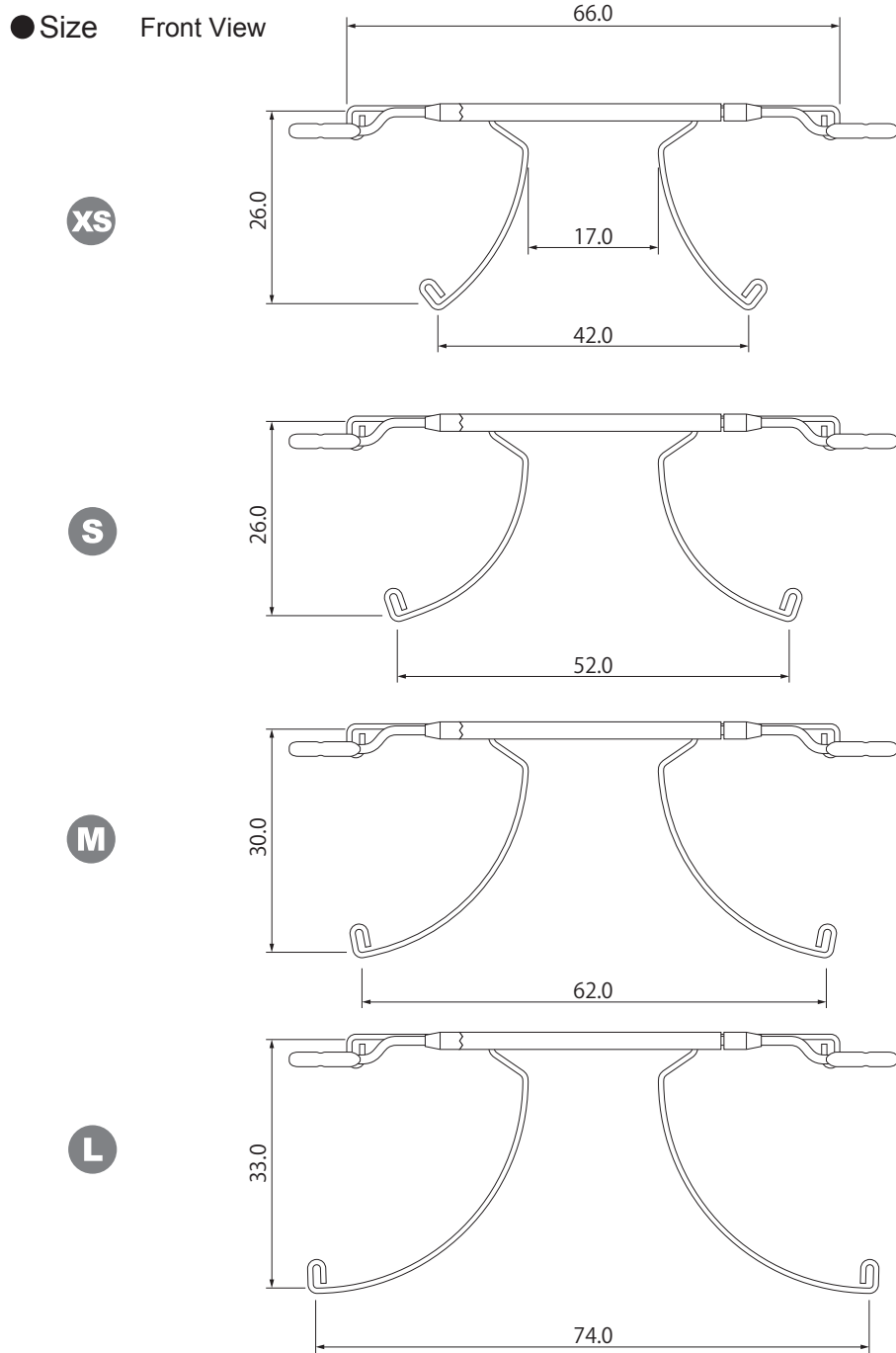


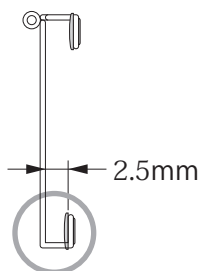
Size variation of CAESAR FLIP II chassis

actual size unit mm



● Type Side View

■ For metal frames
For semi-rimless spectacles
For rimless spectacles



■ For plastic frames
For thick lens spectacles

